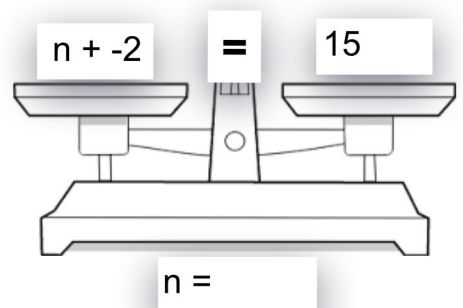
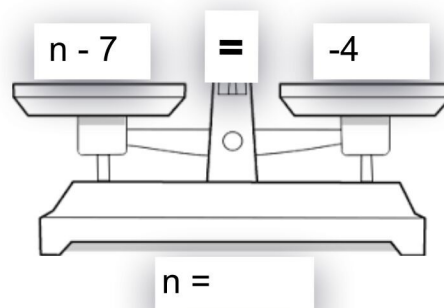
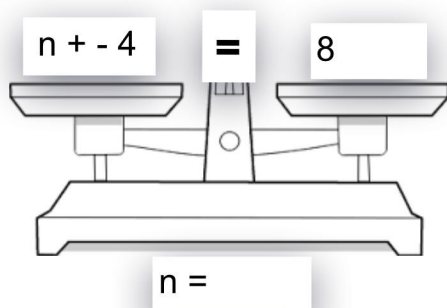
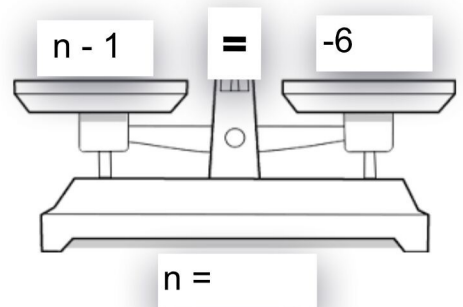
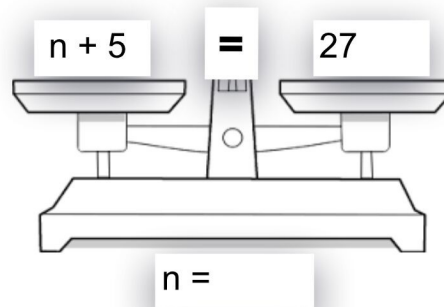
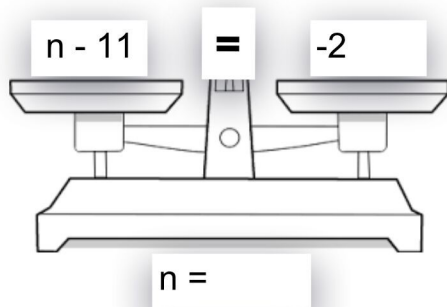
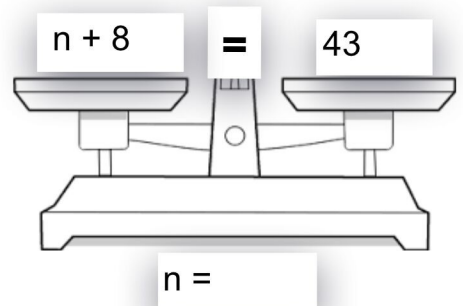
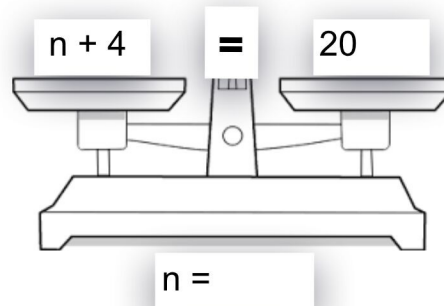
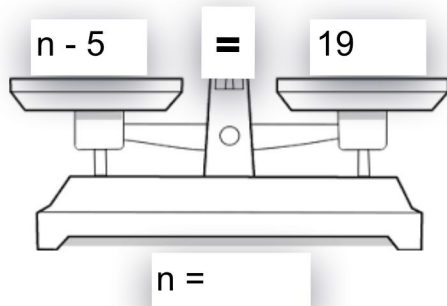
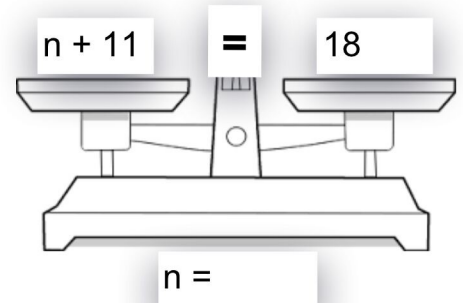
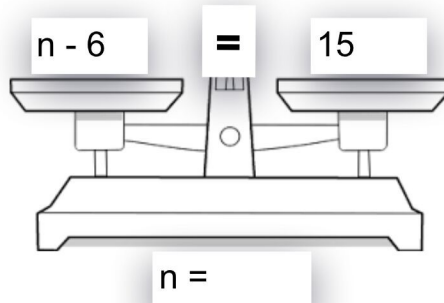
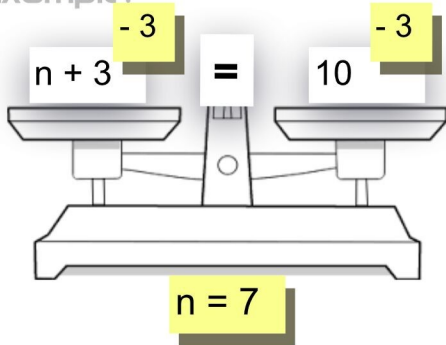


In algebra, equations must always stay in balance. Try to figure out a value for  $n$  that will keep the scale balanced. Practice getting  $n$  by itself. Record your work.

Example:



**REMEMBER:** a scale will stay balanced so long as when you add or subtract a number to one side of the scale, you also do it to the other side.