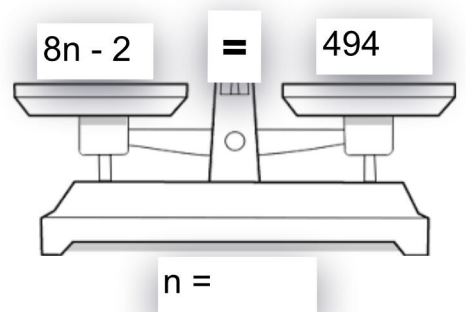
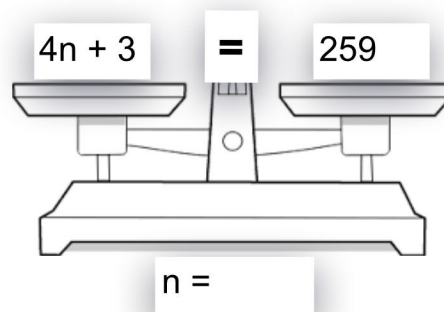
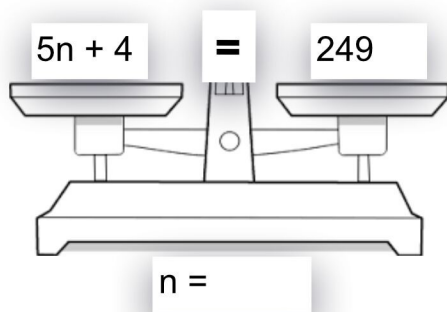
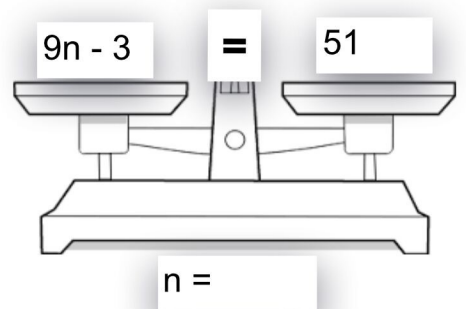
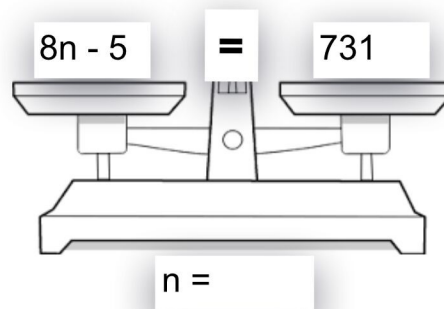
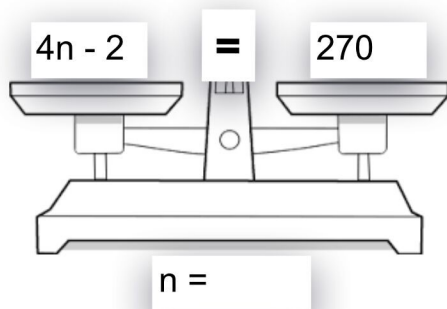
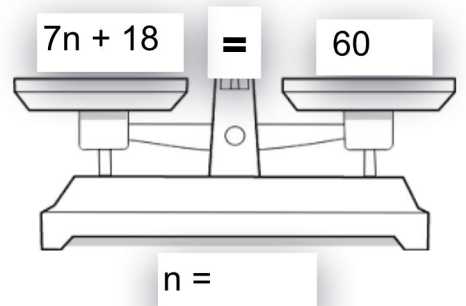
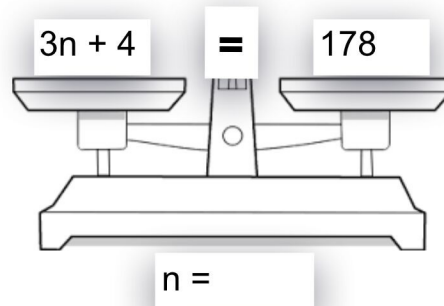
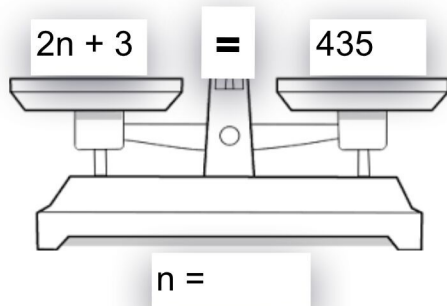
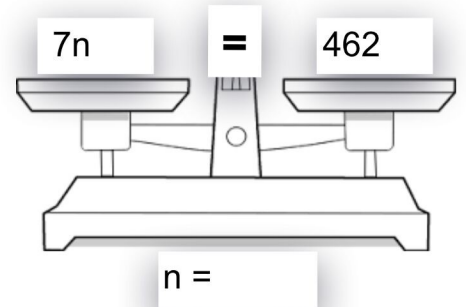
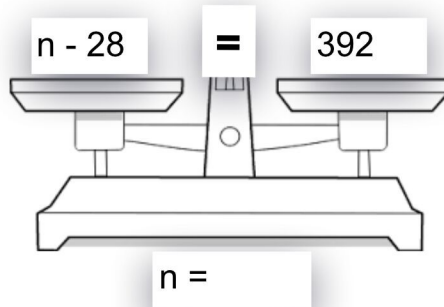
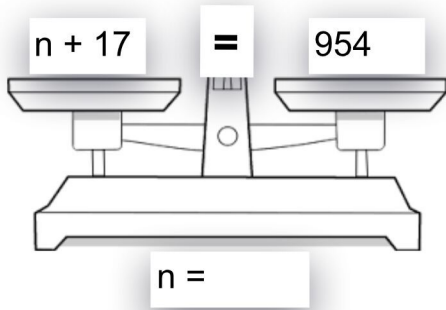


In algebra, equations must always stay in balance. Try to figure out a value for n that will keep the scale balanced.



REMEMBER: a scale will stay balanced so long as when you add (or subtract or multiply or divide) a number to one side of the scale, you also do it to the other side.