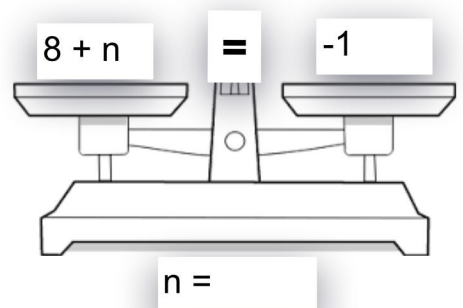
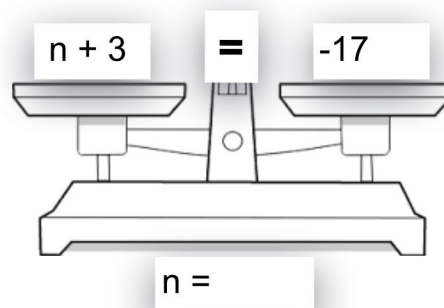
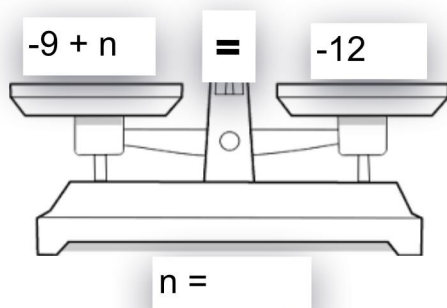
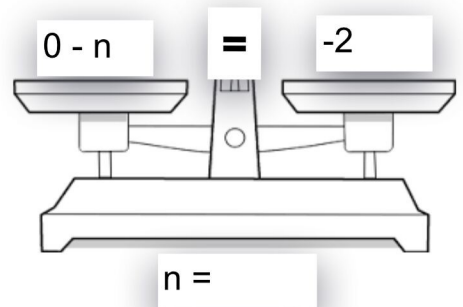
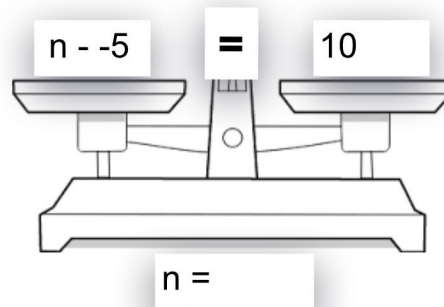
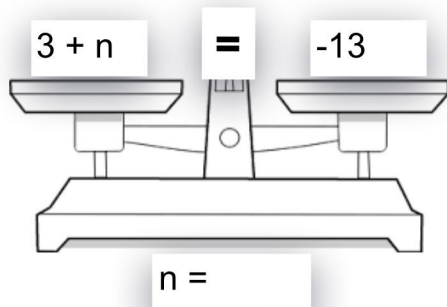
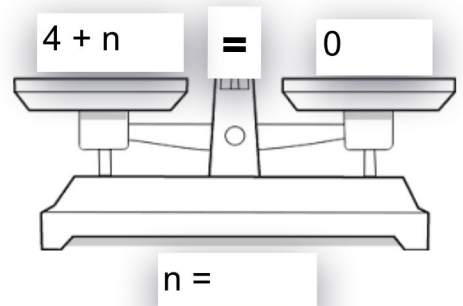
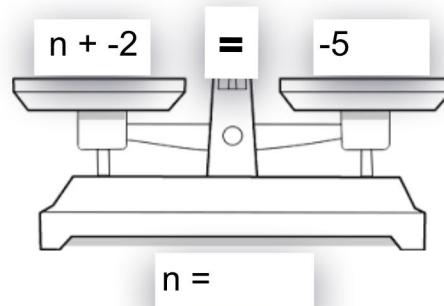
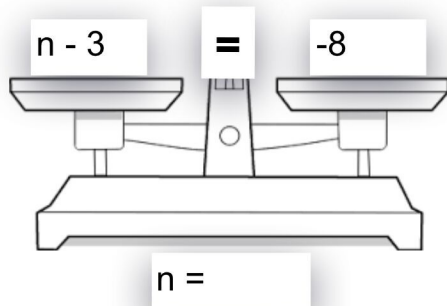
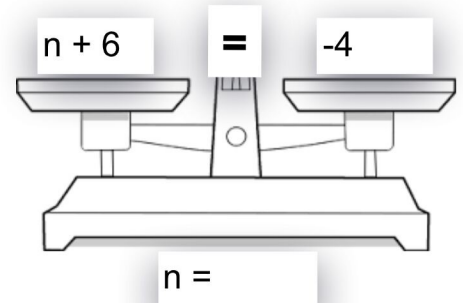
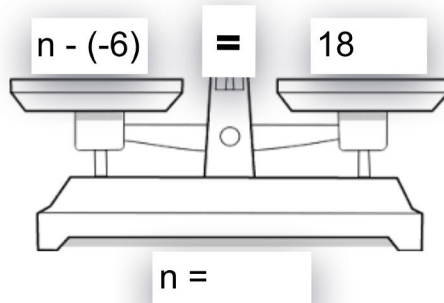
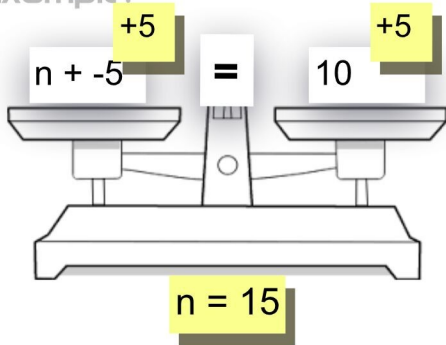


In algebra, equations must always stay in balance. Try to figure out a value for n that will keep the scale balanced. Practice getting n by itself. Record your work.

Example:



REMEMBER: a scale will stay balanced so long as when you add or subtract a number to one side of the scale, you also do it to the other side.